

## ZL-2501 *Zwei L* Stainless Steel Recessed Pull

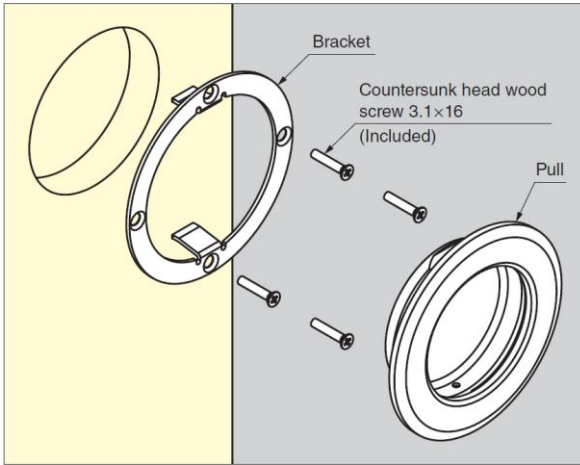
### Features

- Superior “Zwei L Finish” - *Zwei L* represents the very pinnacle of ultra-premium Japanese hardware design. The contrasting bands of mirror finish and lustrous satin on a faceted profile give a jewel like finish that highlights and enhances any industrial design

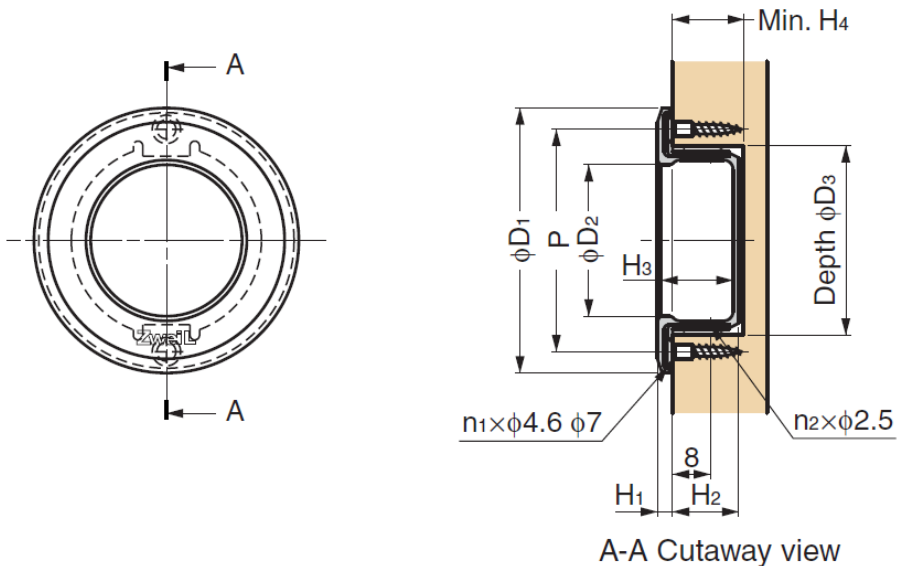
### Parts Included

- Countersunk head wood screw 3.1×16 (SUS)

### Installation



Please insert the pull after installation of the bracket with screws  
(This picture refers to **ZL-2501-56**)



Part No.	Material	Finish	D <sub>1</sub>	D <sub>2</sub>	D <sub>3</sub>	H <sub>1</sub>	H <sub>2</sub>	H <sub>3</sub>	H <sub>4</sub>	P	n <sub>1</sub>	n <sub>2</sub>
GZL-2501-56	Stainless Steel 316	Zwei L Finish	56	32	40	3.2	14	16	15	47	4	2
GZL-2501-80			80	50	62	4		16.5		70		
GZL-2501-125			125	80	100	5	16	20	17	112	4	4